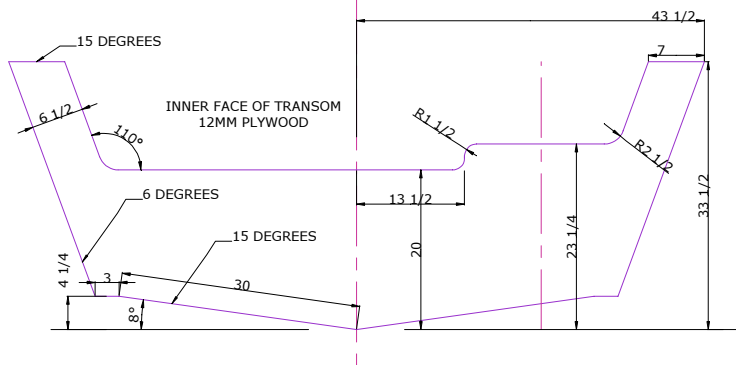
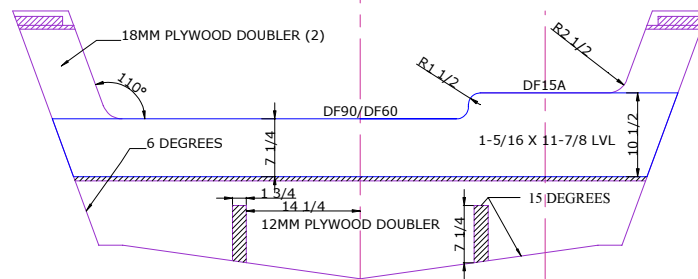


CUT TRANSOM FROM THE INNER FACE.  
 ANGLE SAW SO INNER FACE IS LARGER  
 THAN OUTER FACE.



INNER VIEW OF TRANSOM



OUTER VIEW OF TRANSOM

